



RULES FOR THE FIS SKI JUMPING WORLD CUP (MEN)

EDITION 2023/2024

RULES FIS WORLD CUP SKI JUMPING MEN 2023-2024

Legend: WCJ-M = FIS World Cup Ski Jumping (including Ski Flying)
COCJ-M = FIS Continental Cup Ski Jumping
GPJ-M = FIS Grand Prix Ski Jumping

1. Calendar Planning, Entry and Appointment of the Competitions

1.1 FIS World Cup Ski Jumping

1.1.1 Each National Ski Association is entitled to apply to the Sub-Committee for Calendar Planning for WCJ competitions (individual and team competition) by the pre-established deadline.

1.1.2 The application has to be made two years in advance and on the official FIS entry form. The application form must show the expiration date of the hill certificate.

1.1.3 If the competitions are carried out at different sites, the dates must be fixed so that there is an interval of at least one day for training between the competition dates.

1.1.4 The last WCJ event in this competition season is the WCJ final. In connection with the WCJ final the overall WCJ prize-giving ceremony will take place.

1.1.5 Calendar planning and adjustment

The Chair of the FIS Jumping Committee, the Chair of the FIS Sub-Committee for Calendar Planning and the FIS Ski Jumping Race Directors together will be allowed to adapt the World Cup calendar and technical rules in order to maximize the possibility to organize World Cup events.

1.1.6 World Cup competitions should be organized on a snow surface. However, in exceptional cases, events can also be organized on ice/ snow tracks using a plastic surface in the landing area.

1.2 Appointment of the WCJ-Events

1.2.1 The Sub-Committee Calendar Planning examines:

- the suitability of the hill in question for WCJ-competitions by means of the valid hill certificate
- the suitability of the organizers in question for WCJ-competitions by means of a selections' criteria which includes, among other things, the guaranteed availability of an international TV-signal – suitable for live transmissions - for the entire duration of the competition.

1.2.2 According to the result of this evaluation and the proposed dates the Sub-Committee Calendar Planning establishes a provisional WCJ-competition schedule for the upcoming five years. The final WCJ-competition calendar for each season requires the approval of the FIS Council.

1.2.3 Snow deposit

FIS strongly suggests that organizers of Period 3. (November & December) competitions establish a snow cache/depot of sufficient size to guarantee that the hill can be prepared in case there is inadequate snowfall or cold temperatures.

1.3 Date Protection

1.3.1 Only one WCJ-event can take place on the same date.

1.3.2 The International Championships (OWG + WSC) are protected as to their dates, which means that no WCJ-competitions can take place on those days.

1.4 Cancellations

In the events that the selected competition site cannot be used, the respective National Ski Association must cancel the event(s) and this must be done at the latest eight (8) days before the competition.

1.5 Waxing Cabins

The Organising Committee is obliged ~~provide to put necessary~~ waxing and preparation cabins ~~at disposal~~ without any additional costs for the user.

Waxing cabins must have heat, power and internet connections, appropriate tables for waxing, hangers and racks for skis.

1.6 Team Hospitality

The Organizing Committee is required to provide appropriate team hospitality at the competition site(s) for athletes, coaches and service personnel. The team hospitality area(s) should be large enough to allow team members to prepare and/or relax in a secure, comfortable environment. The area(s) should be equipped with adequate seating and heating, provide healthy, warm and cold food and beverages, and have appropriate dedicated washroom facilities nearby.

2. Participation Right in WCJ Competitions

2.1 Only competitors with a FIS-Code are allowed to be entered.

2.2 Allowed to start are:

2.2.1 World Cup Ski Jumping and Ski Flying individual events

- a) Competitors, who are born in 2008 or earlier and
- b) Competitors, who have already gained GP or WCJ-points;
- c) Competitors, who have gained at least one COCJ-M point of the past or of the current season.

2.2.2 World Cup Ski Jumping and Ski Flying team events

2.2.2.1 World Cup Ski Jumping Team event

Four competitors per team, while

- a) minimum three per team, who have already gained GP or WC points or at least one COCJ-M point of the past or of the current season.
- b) maximum one competitor per team, who have gained at least one FIS Cup-M point of the past or of the current season.

2.2.2.2 Ski Flying Team Events

Four competitors per team, while

- a) who have already gained GP or WC points who have gained at least one COCJ-M point of the past or of the current season.

2.2.2.3 Super Team Events

Two competitors per team, while at least one of the competitors have already gained GP or WC points or at least one COCJ-M point of the past or the current season.

The competition can also be organized as a Mixed Super Team event, with one athlete per gender.

3. WCJ Evaluation

3.1 Individual Competitions

1 st place = 100 points	16 th place = 15 points
2 nd place = 80 points	17 th place = 14 points
3 rd place = 60 points	18 th place = 13 points
4 th place = 50 points	19 th place = 12 points
5 th place = 45 points	20 th place = 11 points
6 th place = 40 points	21 st place = 10 points
7 th place = 36 points	22 nd place = 9 points
8 th place = 32 points	23 rd place = 8 points
9 th place = 29 points	24 th place = 7 points
10 th place = 26 points	25 th place = 6 points
11 th place = 24 points	26 th place = 5 points
12 th place = 22 points	27 th place = 4 points
13 th place = 20 points	28 th place = 3 points
14 th place = 18 points	29 th place = 2 points
15 th place = 16 points	30 th place = 1 point

3.1.1 In case of equality in points between competitors, each athlete receives the points corresponding to the rank (the following place is omitted).

3.1.2 A minimum of eight National Ski Associations must participate if a WCJ competition is to count for the WCJ evaluation.

3.1.3 World Cup Standing

The WCJ points of all individual competitions of the current season will be counted for the WCJ overall winner.

If two or more competitors have the same number of points at the final evaluation, the order will be determined according to the highest number of individual victories resp. according to the successive ranks in FIS World Cup events.

If the competitors are still equal, the starting order will be drawn.

3.1.4 The current leader of the WCJ overall evaluation receives the "World Cup Leader bib", which he is allowed to keep. The "World Cup Leader bib" has to be worn by the leader at the WCJ-event, at the official winner's ceremony and at all official training.

3.2 Team and Mixed Team Competitions

1 st place = 400 points	5 th place = 200 points
2 nd place = 350 points	6 th place = 150 points
3 rd place = 300 points	7 th place = 100 points
4 th place = 250 points	8 th place = 50 points

3.2.1 In case of equality of points of teams, each team obtains the points corresponding to the rank. The following place is omitted.

3.2.2 At least eight National Ski Associations must participate if a WCJ team competition is to count for the WCJ Nations' Cup.

3.2.2.1 Only teams, which entered four athletes according to art. 2.2.2 and currently physically present on site of the event, can be entered for respective team or mixed team competition.

3.2.3 **Starting order in team competitions:**

The starting order will be based on the reverse order of the actual World Cup Nations' standings. The starting order for Mixed team competitions will be based on the reverse order of the sum of the actual World Cup Nations Standings (L+M). Due to organizational reasons the result of an individual competition carried out on the same day may not be considered for the starting order.

3.2.3.1 In the second round, only the leading eight (8) nations from the first round are entitled to start. Before the start of each group in the final round, there will be an info break, where the start order for next group will be sorted into reverse order of the current standing.

3.2.4 **Super Team competitions**

Starting order in Super Team competitions:

The starting order will be determined as follows:

- Group I: draw (for those NSAs that have not scored points in the current season)
 - Group II: reverse order of the actual World Cup Nations' standings.
- Due to organizational reasons the result of an individual competition carried out on the same day may not be considered for the starting order. Every team consists of two athletes, that are included in two different groups. Every NSA has the right to enter one team in the event.

The competition consists of three rounds. In the first round all the entered teams have the right to start, by group. After the first round, only the best 12 teams are qualified for the second round. The break after the first round should be 10 minutes. The second round start order is again based on groups (first all the athletes of group one, then the athletes of group two). After the second round only the best eight (8) teams are qualified for the final round. The break after the second round

should be minimum 10 minutes. In the final round both groups start into reverse order of the current standing.

The ranking is determined by adding the scores of all jumps of the athletes each team.

If less than 8 NSAs are entered at least 13 days before the Team Event, FIS has the right to adjust the format of the competition to a Super Team format.

Until 10 days before the event, NSAs with less than two athletes entered for the mentioned event can adjust their entry and add an extra athlete for the mentioned Super Team format.

For Nordic World Ski Championships and Ski Flying World Championships the respective deadlines of the given rules have to be respected.

3.2.4.1 Super Teams Competitions

1 st place = 200 points	7 th place = 60 points
2 nd place = 160 points	8 th place = 50 points
3 rd place = 120 points	9 th place = 40 points
4 th place = 100 points	10 th place = 30 points
5 th place = 80 points	11 th place = 20 points
6 th place = 70 points	12 th place = 10 points

3.2.5 WCJ Nation Cup

The sum of the points of all competitors from one nation of all WCJ competitions (Men) of the current season – including the points of the team and share of Mixed team competitions – will be taken into consideration for the WCJ evaluation per nation.

In case of an equality of points in the WCJ nations' evaluation, the better ranking order of the different competitions (individual as well as team competitions) will decide.

4. WCJ-Competitions

4.1 Number of Participants for the National Ski Associations

The number of participants will be calculated periodically according to:

- the World Ranking List (see art.4.1.1)
- the standings of the actual Continental Cup-Men period.

The basis for the calculation is:

- the top ~~45~~ ~~50~~ competitors in the World Cup Allocation List (see art. 4.1.2) that is based on the World Ranking List (with a maximum of ~~5~~ ~~6~~ athletes per nation)
- the top three (3) of the COCJ-M period.
- However, ~~a nations'~~ quota is limited to a maximum of ~~6~~ ~~7~~ athletes per nation.
- Apart from the nations' quota (according to the ranking list), each nation which has gained at least one (1) individual- or team competition point during the past or the current competition season shall have a basic quota of one plus two (1+2) for at least 2 x 7 periods. This is therefore also valid for points obtained from the GP.

4.1.1.1 FIS World Ranking List

The quota calculation will be done according to the World Ranking List which is established according to the following criteria:

- The points system is the same as for the World Cup ranking (1st rank 100 points, 30th rank 1 point).

- The competition results of the 5 periods of the past World Cup season will gradually be replaced by the competition results of the 5 periods of the current World Cup season.
- This updating procedure is repeated after each of the periods, so that the 5 most current periods are used to calculate the World Ranking List.
- In addition, the competition results of the SGP (2 periods) will be considered for the calculation of the nation's quota.
- The nations' quota is valid for the entire period that follows and is not affected by actual competition results.

4.1.1.2 World Cup Quota Allocation List

The payment of the travel expenses will be done according to the World Cup Allocation List which is established according to the following criteria:

- The top ~~45~~ 50 competitors of the World Cup Quota Allocation List based on the World Ranking List will be taken into consideration for the quota
- The top three (3) of the COCJ-M period

The allocation will be made by assigning one (1) quota place per athlete beginning from the start of the World Ranking List standings and moving downwards. Once a Nation has achieved the maximum number of ~~five (5)~~ six (6) quota places, its remaining athletes will no longer be counted and the Nation with the next eligible athlete on the World Ranking List will be allocated a quota place until a total of ~~45~~ 50 athletes have been reached. If there is a tie for the final allocated quota place(s), all the athletes for his place will be included for the following period.

4.1.2 Division into periods

The FIS Grand Prix and FIS World Cup calendar 2022-2023 is divided into the following seven (7) periods. Geographical and organisational aspects have been considered.

1. Period: 29.07.2023 – 06.08.2023 Courchevel – Szczyrk
2. Period: 23.09.2023 – 08.10.2023 Rasnov - Klingenthal
3. Period: 25.11.2023 – 17.12.2023 Ruka – Engelberg
4. Period: 29.12.2023 – 06.01.2024 Oberstdorf – Bischofshofen
5. Period: 13.01.2024 – 21.01.2024 Wisla – Zakopane
6. Period: 03.02.2024 – 25.02.2024 Willingen – Oberstdorf
7. Period: 02.03.2024 – 24.03.2024 Lahti - Planica

4.1.3. Starting quota in the official training

Each National Ski Association is allowed to enter the number of athletes according to their nations quota, but no more than ~~six (6)~~ seven (7) as a maximum.

Nations with quota one ~~or and~~ two are allowed to enter ~~up to a number of~~ two (2) additional athletes ~~in-addition~~. Nations with quota three are allowed to enter one (1) additional athlete ~~in-addition~~.

Nations without a quota at all or with a basis quota (see art. 4.1) are allowed to enter up to two (2) athletes as a maximum.

The National Ski Association of the organizing country has the right to enter an additional National Group (group I) up to a maximum of ~~four (4)~~ six (6) athletes for the official training and the qualification round.

However, if an event program includes a team competition, the participating nations are allowed to enter up to ~~a number of~~ four (4) athletes as a maximum for the individual competition as well.

The maximum starting quota of the National Ski Association of the organizing country is therefore ~~10~~ 13 athletes for the official training and the qualification

round, and all other participating nations may enter up to a maximum quota of ~~six~~ ~~(6) seven (7)~~ athletes.

If more than two (2) WCJ-competitions are planned to be carried out in one country, the hosting National Ski Association is only entitled to enter a National Group in a maximum of 2 events (valid only for WCJ). For the SGP-series this right is reduced to one competition. This limit will not be applied to competitions replaced from another host country.

4.1.4 Starting quota in the competition

A qualification round reduces the number of competitors to 50, resp. to 40 at Ski Flying events.

4.1.5 To beat and green laser line

For WCJ-M competitions (individual, team, qualification, prologue) it is mandatory to use the “to beat – green laser line” of the official Data Service Provider.

4.1.6 Start Time Control

For WCJ men duration of yellow phase of start procedure can be between 10 and 60 seconds.

4.1.7 Transponders and Motion Sensors

Transponders and Motion Sensors delivering live and recorded data that are provided by the official data and scoring provider and approved by the FIS must be fastened to the front part of the bindings by the competitors in official trainings and competitions for some events. Transponders and Motion Sensors deliver external data from competitors such as speed and positioning. The service will be provided by the official timing and data provider and the generated data must be provided to the NSAs and the FIS free of charge.

4.2 Competition Mode and Starting Order

4.2.1 WCJ-competitions

As a rule, a jumping competition consists of:

- the official training
- a qualification and/or
- a trial round
- two scored rounds.

4.2.1.1 For the official training, the qualification and the first scored competition round the competitors will be divided into three groups.

The number sequence of the groups is as follows:

- Group I of the organizing country
- Group II (athletes without WCJ points)
- Group III (athletes with WCJ points).

4.2.1.2 The starting order within the group will be determined as follows:

- Group I: draw or seeding through the organizing country
- Group II: draw
- Group III: reverse order of the actual WCJ standings. For the first WCJ competition of the season, the final WCJ standings of the past season is decisive. In Ski Flying, up from the second WC competition in Ski Flying the standings of the actual Ski Flying World Cup is decisive. As soon as athletes appear in the World

Cup Standings they are seeded in group III according to their ranking.

After the formation of the Seeded Group I and II, the Jury can make the draw before the official training. The team captains must confirm the draw at the next team captains' meeting.

In case of only one official training for two competitions carried out on the same hill (individual and team competitions or two individual competitions), only the single quota is allowed to start.

The competition schedule has to be published together with the invitation for the competition. Changes can be made by the Jury in case of „force majeure“.

4.2.1.3 Qualification round

4.2.1.3.1 Qualification Ski Jumping

The qualification round reduces the number of participants to 50.

All jumpers must participate in the qualification round. The total score counts for the result.

A jumper, who has reached 95 % of the maximum length of the longest jump by the jumpers who have to qualify but has a fall, has the right to participate in the competition in addition to the 50 (If the wind/gate compensation is used, the compensated distance is the basis). In case the number of participating athletes is 50 or lower, a Prologue competition round must be organized.

4.2.1.3.2 Qualification Ski Flying

The qualification round reduces the number of participants to 40. All jumpers must participate in the qualification round. The total score counts for the result.

If the host nation has not at least four athletes or more within these 40, it is entitled to enter up to four in addition for the first competition round.

A jumper, who has reached 95 % of the maximum length of the longest jump by the jumpers who have to qualify but has a fall, has the right to participate in the competition in addition to the 40 (If the wind/gate compensation is used, the compensated distance is the basis).

4.2.1.3.3 Non-qualified athletes

Non-qualified athletes cannot be nominated as fore jumpers for the respective competition if another individual competition of the series is scheduled for the same competition weekend / event / place.

The Jury is allowed to nominate fore jumpers from the non-qualified athletes in exceptional cases.

4.2.1.4 In extreme cases (for example limited training jumps, change of the in-run, lack of time, difficult weather conditions) the Jury can decide on a qualification round or a trial round.

4.2.1.6 Trial round

If the qualification round is not held at all or not held on the competition day, a trial round must be carried out before the first scored round (exception see ICR art. 452.2.2)

4.2.1.7 For the first competitive round, only the 50 best (resp. 40 in Ski Flying) jumpers are admitted. In case of a tie in the last qualified place of the qualification round, the total number of participants will increase accordingly. The total number of participants will be filled up to 50 (resp. 40 in Ski Flying), (plus tied jumpers in the

last qualified place or/and jumpers who have reached 95 % of the maximum length but had a fall, according to art. 4.2.1.3).

- 4.2.1.8 For the second competitive round (final), only the top 30 of the first competition round are qualified (plus jumpers tied at the last qualified place). They start with the same start number but in reverse order of the collective points score from the first competitive round.
- 4.2.1.9 A jumper, who has reached 95 % of the maximum length of the longest jump by the jumpers who have to qualify but has a fall, has the right to participate in the competition in addition to the 30 (If the wind/gate compensation is used, the compensated distance is the basis).
- 4.2.1.10 The final round should start 15 minutes after the end of the first competition round. The jumpers who are not at the start on time are disqualified.
- 4.2.1.11 After the qualification round of jumps is completed, the Jury is authorized to allow competitors who are not qualified to serve as fore jumpers for the competition, if necessary.
- 4.2.1.12 **World Cup Final**
At the final of the World Cup season (NH, LH, FH), only the present top 30 ranked competitors of the current World Cup overall standings may start on the last individual competition day, within the maximum number of athletes included in the WC quota per NSA at the time of the final. If the host nation has less than four athletes within these 30, it is entitled to enter up to four in total. Starting order is according to the overall individual World Cup ranking before the final event.

4.2.2 **KO System**

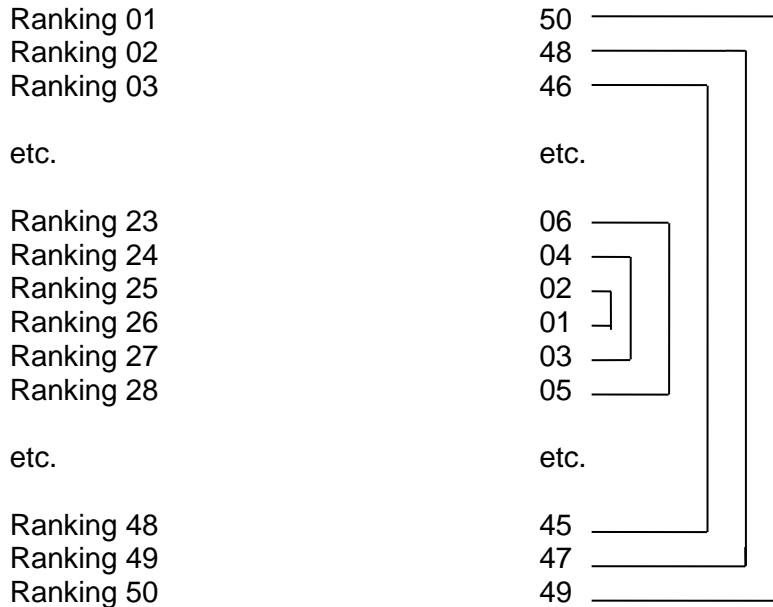
The Jumping Committee is entitled to modify the above mentioned rules for the qualification and competition rounds.

Based on a decision of the FIS Jumping Committee and with the approval of the FIS Council with the new modus, the number of participants in the first competition round will be reduced to the half (25 participants) for the final round by a comparison of performance in pairs (KO system) and filled up to a total of 30 participants with the five athletes (best loser) who have reached the best total score points.

- 4.2.2.1 The qualification round will be carried out in the same way as up to now, with one exception that the score (the total score points achieved) is not only decisive for the participation in the first competitive round but also for the starting order. The qualification round should be carried out the day before.
- 4.2.2.2 The first competition round is contested by 25 pairs of jumpers so that exactly 50 athletes have to be selected in the qualification round. It is therefore not possible to increase this number in case of several competitors in equal last places or maximum distance with a too low total score because of a fall. In order to respect fairness and to ensure a clear decision, the following rules are to be observed:
 - 4.2.2.2.1 If two or more jumpers obtain the same total score in the Qualification round, the athlete with the higher start number will be ranked in the better position (see ICR art. 433.4).

4.2.2.3 Based on these rules, the following system is in place for the ranking of the qualification round:
Based on the total scores achieved, firstly a normal ranking from positions 1 to 50 is to be established.

4.2.2.4 For the first competition round the pairs of jumpers are to be established as follows:
Ranking in the qualification round = Start order in the first scoring round
will be the start number



4.2.2.5 The pairs will start in the following order:

Start no. 26	against start no. 25	as 1 st pair
Start no. 27	against start no. 24	as 2 nd pair
etc.	etc.	etc.
Start no. 49	against start no. 02	as 24 th pair
Start no. 50	against start no. 01	as 25 th pair

4.2.2.6 As a result of the comparison in pairs the jumper with the better total scoring reaches the final round. If the two jumpers competing against each other achieve the same total score, the jumper with the lower start number will advance.

4.2.2.7 Those 25 athletes will participate in the final round who have qualified for the final in the KO elimination. In addition, there are the five losing jumpers which have the best total scores. In exceptional cases of a lower number of winners, the number of losing jumpers will be increased. The number of participants for the second round can also be increased through tied jumpers on the last qualified place or/and jumpers who have reached 95 % of the longest jump (art. 4.2.1.3) but had a fall (If the wind/gate compensation is used, the compensated distance is the basis).

4.2.2.8 The starting order in the final round results from the reverse ranking order of the total scores in the first scoring round.
In case of equal total scores the jumper with the higher starting number will jump first.
The overall score of the competition is determined by the total scores from both competitive rounds, i.e. the sum of both total scores.

4.2.3 **Ski Flying competitions**

The WCJ-events in Ski Flying have to be carried out according to the World Cup rules for Ski Jumping as well as according to ICR art. 454.

4.3 In order to guarantee that actual and appropriate information on the Jury's decisions regarding the competition is given to the media- and TV representatives as well as to spectators at the jumping hill, the competition management has the duty to forward corresponding information to the media representatives and the announcer. The Race Director of the FIS is commissioned with this task.

4.4 For all WCJ competitions, the use of video-distance-measuring according to the special regulations established by the FIS Jumping Committee is mandatory.

5. **WCJ Prizes**

5.1 **Prize Money**

The Organizing Committee must provide Prize Money of at least the following amount in Swiss Francs (CHF) per competition:

Single competition: **CHF ~~86'100.79'000.~~**—, divided between the top **30** athletes as follows:

1.	CHF	13'000.42'000.-	16.	CHF	1'800.-
2.	CHF	10'000.9'500.-	17.	CHF	1'700.-
3.	CHF	8'000.7'500.-	18.	CHF	1'600.-
4.	CHF	6'000.-	19.	CHF	1'500.-
5.	CHF	5'200.-	20.	CHF	1'400.-
6.	CHF	4'500.-	21.	CHF	1'300.-
7.	CHF	3'600.-	22.	CHF	1'200.-
8.	CHF	3'200.-	23.	CHF	1'100.-
9.	CHF	2'900.-	24.	CHF	1'000.-
10.	CHF	2'600.-	25.	CHF	900.-
11.	CHF	2'400.-	26.	CHF	800.-
12.	CHF	2'200.-	27.	CHF	700.-
13.	CHF	2'100.-	28.	CHF	600.-
14.	CHF	2'000.-	29.	CHF	500.-
15.	CHF	1'900.-	30.	CHF	400.-

For the following athletes CHF 100.- per World Cup point achieved:

~~7. CHF 3'600.- 8. CHF 3'200.- 10. CHF 2'600.- 20. CHF 1'100.-
30. CHF 100.-~~

Qualification:

- **CHF 3'000.—** for the winner
- **CHF 5'000.—** for the winner in Ski Flying.

Team and Mixed Team competition: **CHF ~~84'000.77'000.~~**—, divided between the top 8 teams:

1.	CHF	30'000.27'000.-	5.	CHF	6'000.-
2.	CHF	19'000.17'000.-	6.	CHF	4'000.-
3.	CHF	12'000.-	7.	CHF	3'000.2'000.-
4.	CHF	8'000.-	8.	CHF	2'000.1'000.-

Super Team competition: **CHF 84'000 77'000.--**, divided between the top 12 teams:

1.	CHF	22'000.--	7.	CHF	5'000 4'000.--
2.	CHF	15'000.--	8.	CHF	4'000 3'000.--
3.	CHF	10'000.--	9.	CHF	2'500 2'000.--
4.	CHF	8'000.--	10.	CHF	2'000 1'000.--
5.	CHF	7'000 6'000.--	11.	CHF	1'500 700.--
6.	CHF	6'000 5'000.--	12.	CHF	1'000 300.--

The payment of the CHF must be done electronically by bank transfer latest seven (7) days after the last competition or receiving the bank information to the respective athlete`s bank account, taking into consideration the local tax laws. For conversion into the currency of the athletes account, the actual bank rate at the time of the bank transfer is applicable.

A one-time late payment charge of CHF 999 will apply for LOC from the 31st day after the last competition day or receiving the bank information, for each late payment to each individual athlete. Excluded from this is a delay due to wrong or missing bank account information as provided by the Athlete. Also excluded are delays due to special regulations that require an individual TIN (Tax Identification Number) or similar.

NSAs are responsible for entering the personal bank information for each athlete using the Athlete Registration module in the FIS Member Section. The date of submission of bank details to the LOC is valid for the above deadlines for the LOC to execute payment.

Receipts must be provided to the athlete electronically and a copy needs to be transmitted to FIS latest three days after the final competition at the respective venue. Bank transfer fees, including and any applicable value added tax (VAT) to those fees, as charged by the local bank must be covered by the LOC. Any banking fees levied by the recipient's bank, including taxes charged upon those fees, are the expense of the athlete. Any supplementary expenses that occur due to incorrect declaration of banking details will be charged by the LOC against the sum of money (respective prize money) that is to be paid out.

Any withholding tax required by local law, can be deducted by the LOC from the prize money. This information with the amount must be stated on the receipt transmitted to the athlete. The athlete is responsible for any applicable withholding/income taxes.

The LOC must assist the athlete with matters relating to taxation of prize money in the country in which the competition is held including but not limited to evidence of the taxes withheld.

5.2 FIS World Cup Trophy

- The winner of the Overall FIS World Cup (including all individual Ski Flying respectively all individual Ski Jumping World Cups) receives the big World Cup trophy, which will be provided by the FIS.
- The winner of the Overall FIS World Cup Ski Flying (including all Individual Ski Flying events) receives the small World Cup trophy, which will be provided by the FIS.

5.3 FIS World Cup Medals

- The first three competitors of the FIS World Cup Ski Jumping receive a FIS World Cup medal.
- The first three competitors of the FIS World Cup Ski Flying receive a FIS World Cup medal.

5.4 FIS-Nations' Cup-Trophy

The winner of the FIS-Nations' Cup receives the FIS-Nations' trophy.

5.5 Provision of Awards

The trophies and medals will be provided by the FIS.

5.6 Presentation

The awarding ceremony for the overall winners will take place in connection with the World Cup Men's final.

6. Reimbursement of Expenses

6.1 Nations' Quota for the Reimbursement of Expenses

The national quota for the participating nations will be determined as follows:
A World Cup Allocation List will be established using the results from the Summer Grand-Prix and WCJ competitions (art. 4.1).

From this World Ranking List will be included at the end of each of the 7 periods:

- the top ~~45-50~~ competitors in the World Cup Allocation List (with a maximum of ~~5-6~~ athletes per nation)
- the top three (3) athletes of the current COCJ-M period,
- as well as a basic quota.
- Each National Ski Association has the right to be reimbursed for a maximum of ~~six (6) -seven (7)~~ athletes.
- The number of officials that have to be ~~covered taken-over~~ will be determined according to the following standards:

Key for the quota of officials:

1-2 athletes, 2 officials in quota + 1 official with only full board accommodation (no travel reimbursement)

3-4 athletes, 3 officials

5-6 athletes, 3 officials + 1 official with only full board accommodation (no travel reimbursement)

~~1 – 3 athletes~~ ~~2 officials~~

~~4 – 5 athletes~~ ~~3 officials~~

~~6 – 7 athletes~~ ~~4 officials~~

6.2 The following must be paid to the teams according to the quotas determined in art. 6.1 for the reimbursement of expenses of the National Ski Associations.

6.2.1 Accommodation

Room and full pension in a good hotel in the competition resort for the duration of the event, beginning one night before the first official training resp. the following night after the last competition. An invitation and information packet must be sent by the organiser to each National Ski Association. Participating teams must enter their competitors prior to the published entry deadline. By doing so, the team secures their required number of booked room reservations.

For booked room reservation not used, the organiser has the right to demand a cancellation fee from the National Ski Associations (exception is a reduction of the number of athletes due to quota change):

- Until 14 days before the Team Captains' meeting: Teams and SRS can change their bookings by adapting the preliminary entry. Cancellation

(entire team or only some rooms) is free of charge for 25% of the rooms booked.

- Between 13 until 8 days before the Team Captains' meeting: Teams and SRS have to provide their final entry to the LOC latest 8 days before the Team Captans' meeting of the event. The LOC has the right to charge a cancellation fee with a size tolerance of 10% (cancellation free of charge for 10% of the rooms booked).
- Between 7 days and until the end of the events (departure date chosen by the team): The LOC has the right to charge a cancellation fee. The amount of cancellation fees should be announced for each venue in the event program on the FIS website.

In case reimbursement of travel expenses for the nations concerned occur, the organiser has the right to deduct the cancellation fee directly from the reimbursement of the travel expenses.

By no means is the organiser or the hotel manager allowed, without agreement of the team captain, to demand the vacating of the rooms on the day of the competition. For nations with starting quota 4 or more two single rooms have to be provided.

For competitors and officials not included in the quota, the Organising Committee has to provide accommodation and meals at least 25% below the normal price at the place in question, whereby CHF 125.— is the maximum price per person in a double room and CHF 160.- per person in a single room.

When an event programme includes a team competition, all participating nations are allowed to enter up to a number of four (4) athletes. Two additional travel expenses quota and accommodation for extra quota athletes (up to four) have to be provided by the Organiser for the entire duration of the competition (weekend and tournament) for those teams that have less than four competitors in the reimbursement quota system.

ATTENTION: If a team has one athlete + 2 officials of two different genders (1 man + 1 woman) the LOCs have to provide three single rooms. Teams have to inform LOCs about this request.

6.2.2 Travel Expenses

The WCJ-organizer has to pay the following minimum travel reimbursement per person, according to the travel regions established by FIS for travel costs, based on Swiss Francs (CHF):

- 1. Organisers of group A have to pay:**

- for quota from a country in group A	CHF 250.—
- for quota from a country in group B	CHF 400.—
- for quota from a country in group C	CHF 400.—
- for quota from a country in group D	CHF 600.—
- for quota from a country in group E	CHF 700.—
- 2. Organisers of group B have to pay:**

- for quota from a country in group A	CHF 400.—
- for quota from a country in group B	CHF 250.—
- for quota from a country in group C	CHF 400.—
- for quota from a country in group D	CHF 600.—
- for quota from a country in group E	CHF 700.—
- 3. Organisers of group C have to pay:**

- for quota from a country in group A	CHF 400.—
---------------------------------------	-----------

- for quota from a country in group B CHF 400.—
- for quota from a country in group C CHF 250.—
- for quota from a country in group D CHF 600.—
- for quota from a country in group E CHF 700.—

4. Organisers of group D have to pay:

- for quota from a country in group A CHF ~~400~~ 600.—
- for quota from a country in group B CHF ~~400~~ 600.—
- for quota from a country in group C CHF ~~400~~ 600.—
- for quota from a country in group D CHF 250.—
- for quota from a country in group E CHF ~~400~~ 700.—

5. Organisers of group E have to pay:

- for quota from a country in group A CHF ~~400~~ 700.—
- for quota from a country in group B CHF ~~400~~ 700.—
- for quota from a country in group C CHF ~~400~~ 700.—
- for quota from a country in group D CHF ~~400~~ 700.—
- for quota from a country in group E CHF 250.—

For a tournament series (i.e. – 4 Hills, Raw-Air, etc.), travel expenses must be paid to teams for each single event of the tournament.

6.2.2.1 The FIS members are divided into five travel- resp. organizer-regions as follows:

- 1) Northern Europe Group A
(DAN, EST, FIN, ISL, NOR, SWE)
- 2) East Europe Group B
(BLR, BUL, GEO, LAT, LTU, ROU, RUS, UKR, UZB)
- 3) Middle and South Europe Group C
(AND, AUT, BEL, BIH, CRO, CZE, FRA, GER, GBR, GRE, HUN, IRE, ITA, LIE, LUX, MON, NED, POL, RSM, SPA, SVK, SLO, SUI, TUR)
- 4) Overseas I Group D
(ALG, CAN, EGY, IRA, ISR, LIB, MAR, MEX, RSA, SEN, SUD, SWZ, USA, ZIM)
- 5) Overseas II Group E
(ARG, AUS, BRA, CHI, CHN, FIJ, GUA, HON, KAZ, JPN, KOR, PRK, MGL, NZE, PHI, PUR, URU, ISV)

6.2.2.2 Charter arrangements (flight, train, bus, ship) may be organized and charged for by the OC or between several OC's (coordinated arrangements); this offer must be made in writing and be included in the program or invitation. The teams must confirm their acceptance or refusal to the organizers within the official entry deadline.

Bus journeys should be limited to 400 km.

6.2.2.3 The transfer from and to the airport will be organized and covered by the organizer, as long as the resp. National Ski Association has informed the OC of the members of the team, arrival day, arrival time and the flight number.

The organizer has to provide and take over a shuttle service between the accommodation and the competition site.

6.2.3 The designated Technical Delegates (TD), the Assistant RD, the Assistant TD and the Jumping Judges have to be paid according to ICR art. 405.4.

7. FIS WCJ Title Sponsor / Advertising / Media Service

7.1 The FIS signs an agreement with the official FIS World Cup title or presenting sponsor or with an agency.

7.2 The "FIS World Cup Organiser contract", concluded between FIS and the NSA/OC respectively club, contains all advertising matters to be strictly observed by the parties involved.

7.3 The OC's Chief of Media will be supported by the FIS World Cup Media Coordinator, nominated by FIS, for general services regarding PR information, media service, winners press conference etc. The OC has to pay for the Media Coordinator's travel, accommodation and board. Prior to travel the Media Coordinator must contact the organizer regarding the arrangements.

7.4 The press-/media service has to be organized and performed according to the recommendations and guidelines of the International Ski Federation as well as the International Association of Ski Journalists (AIPS).

8. Rescue Service – Medical Support Requirements

The Organizer is responsible for setting up and operating during all competition times (training and competitions) an appropriate rescue service. The Medical Support Requirements for FIS Event Organizers are set forth in the ICR, 221.6 as well as chapter 1 of the FIS Medical Guide (containing Medical Rules and Guidelines).

9. WCJ Report

The FIS TD is responsible for the report on the WCJ competition. The online report of the TD and TD-Assistant has to be done within five day after competition.

10. FIS Grand Prix Ski Jumping

The WCJ rules will be analogue applied for the Grand-Prix series with exception of:

10.1 Prize Money

Single competition: **CHF 12'000.—**, divided between the top 6 athletes.

Team competition: **CHF 12'000.—**, divided between the top 3 teams.

Team competition: **CHF 12'000.—**, divided between the top 3 teams.

Mixed Team competition

(Women/Men): **CHF 10'000.—**, divided between the top 3 teams.

(Prize Money distribution procedure according to art. 5.1).

10.2 FIS Grand Prix Trophy

The first three competitors of the Grand Prix receive a FIS Grand Prix trophy, which will be provided by the FIS. A minimum of three competitions have to be completed to assign the FIS Grand Prix trophy.

|