

Equipment catalogue for Ski Jumping

Table of Contents

- **General**
- **Bindings**
 - Approved Ski Jumping bindings 2022
 - FES
 - Slatnar
 - WinAir
 - Bison
- **Jumping shoes**
 - RASS
 - Nagaba
 - Slatnar
 - EPS Edgar Paul Stöckl
 - APUS
 - HOP
 - Scarpa
 - Pesaductus
- **Helmets (will be added during the summer period)**
 - Uvex
 - Carrera
 - POC
 - Casco
 - Julbo
 - Alpina
 - Bolle
 - Briko

Equipment catalogue for Ski Jumping

General:

This document describes the allowed equipment's in all FIS level competitions within Ski Jumping, when it comes to Ski Jumping Bindings, Skis and jumping boots (except for new development versions of these equipment's).

- Procedure for approval of new development versions / models:
 - 1. Manufacturer must present all new models or development versions or modifications for Ski Jumping Equipment controllers to be considered as new development version / model or as small modification.
 - 2. Manufacturer has to present all versions, which are considered as a new development version or new model (considered by equipment controllers) in FIS Spring meeting for Sub-Committee for Equipment and Development Ski Jumping for approval for testing period.
 - 3. Final approval for using new model will be decided by FIS Ski Jumping Equipment committee in FIS Autumn meeting.

If this procedure is not followed the bindings, as well as skis and shoes, are not allowed to use in any of FIS Ski Jumping competitions

This document provides the following information of equipment's:

- General description of product.
- Pictures and dimensions of allowed Ski Jumping bindings, skis and shoes

Ski Jumping BINDINGS

FES

Allowed Ski Jumping bindings / FES

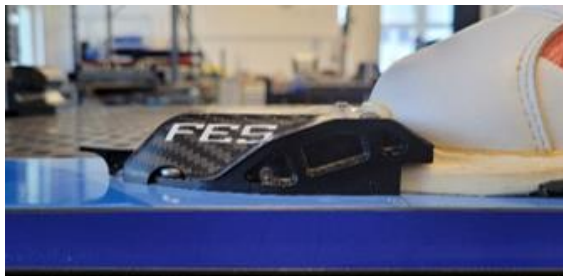
FES:

- According the current FIS rules for Jumping Ski Bindings SCE 2
- Compatible with Swiss Timing Tracker except Front Binding 2018
- Safety tested with extensive material tests and trials
- Material strengths have improved over the years
- Attachment screws in front of the jumping shoe
- Flat attachment on the ski

Allowed Ski Jumping bindings / FES

FES Front Binding 2021_SHORT with cover:

- Fixation on skis by means of 4 slotted holes
- Swiss Timing Tracker possible.

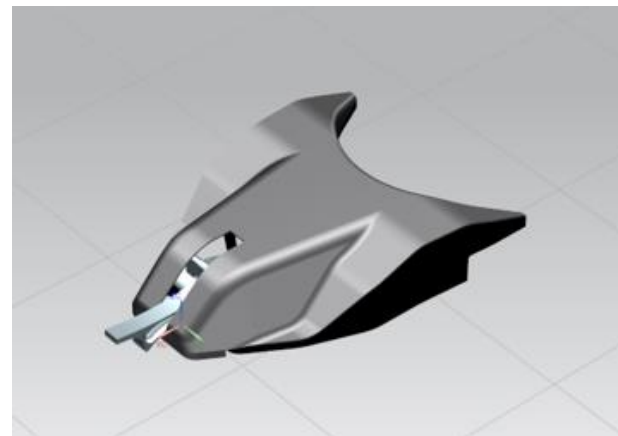
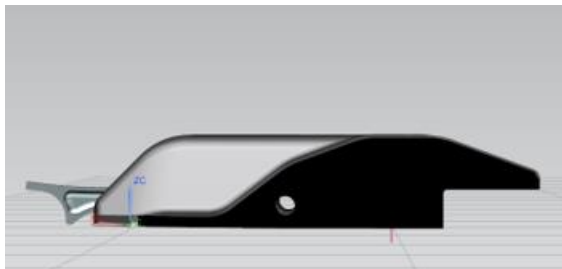
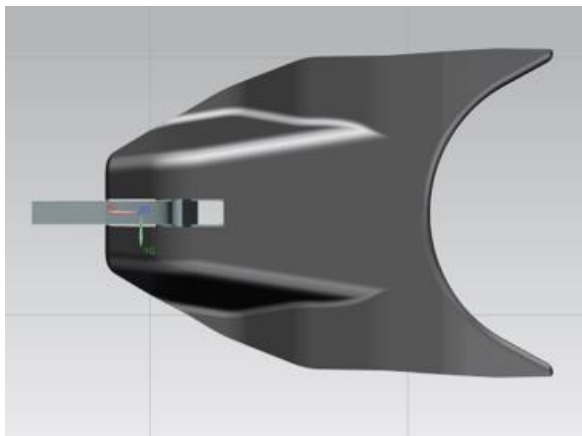


	Lenght	Width	high
With Cover	102mm	85mm	24mm

Allowed Ski Jumping bindings / FES

FES Front Binding 2021_LONG with cover:

- Fixation on skis by means of 4 slotted holes
- Swiss Timing Tracker possible.



	Length	Width	high
With Cover	117mm	85mm	24mm

Allowed Ski Jumping bindings / FES

FES Front Binding 2018 with cover:

- Fixation on skis by means of 4 slotted holes
- Swiss Timing Tracker **NOT** possible.



	Lenght	Width	high
With Cover	113mm	87mm	34mm

Ski Jumping BINDINGS

Slatnar

Allowed Ski Jumping bindings / Slatnar

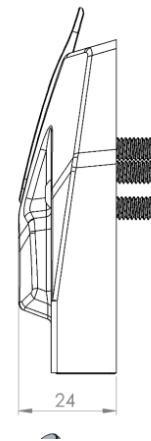
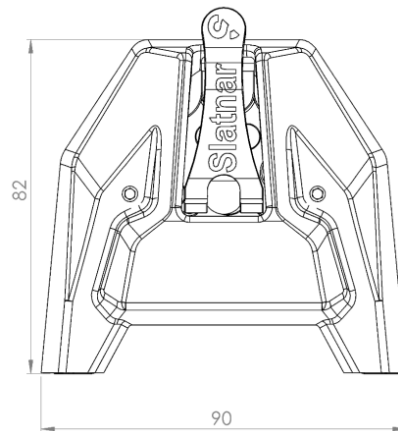
Slatnar:

- According the current FIS rules for Jumping Ski Bindings SCE 2
- Compatible with Swiss Timing Tracker
- Safety tested with extensive material tests and trials
- Material strengths have improved over the years
- Attachment screws in front of the jumping shoe
- Flat attachment on the ski

Allowed Ski Jumping bindings / Slatnar

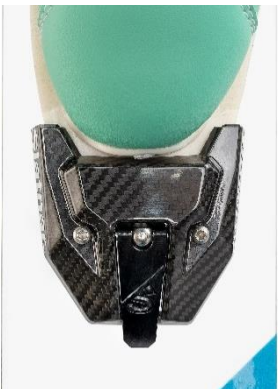
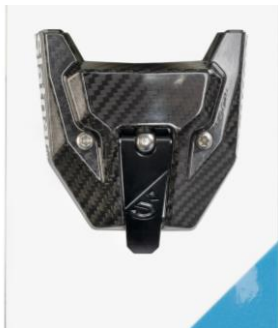
Slatnar front 2022:

- This is our new shape of basic model, which can be used by all ski jumpers. All functions are the same like our previous standard model.
- With the development of our new bindings model we were focusing on even lighter weight of the product, long term use and most important safety of the athletes.
- Bindings are made from durable, long lasting materials. Base is made from the hardest Aluminum which is coated with anodizing for durability, other parts are made from Stainless steel and Carbon.
- Mechanism is designed for optimal opening in case of fall.



Allowed Ski Jumping bindings / Slatnar

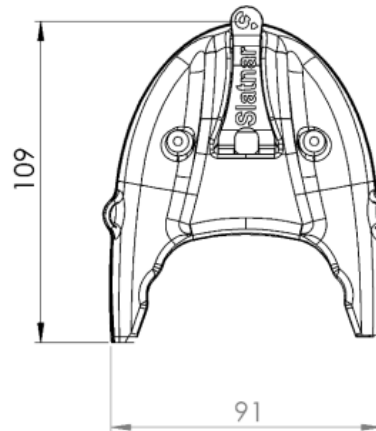
Slatnar front 2022 pictures with cover:



Allowed Ski Jumping bindings / Slatnar

Slatnar front LONG:

- The advanced version of basic- standard model.
- Bindings are made from durable, long lasting materials. Base is made from the hardest Aluminum which is coated with anodizing for durability, other parts are made from Stainless steel and Carbon.
- Mechanism is designed for optimal opening in case of fall.
- This model has longer base as our standard model. Sides are extended which makes skis more stable during the jump.
- The extended sides stabilize shoes earlier after the takeoff which provides more control over the skis.
- skis.



Allowed Ski Jumping bindings / Slatnar

Slatnar front LONG pictures with cover:



Allowed Ski Jumping bindings / Slatnar

Slatnar AIR rear:



Allowed Ski Jumping bindings / Slatnar

Slatnar EVO rear:
Black / Silver



Allowed Ski Jumping bindings / Slatnar

Slatnar rear (NEW):



Ski Jumping BINDINGS

WinAir

Allowed Ski Jumping bindings / WinAir

WinAir:

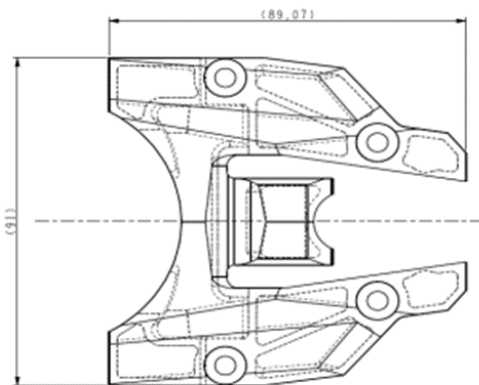
- According the current FIS rules for Jumping Ski Bindings SCE 2
- Safety tested with extensive material tests and trials
- Material strengths have improved over the years
- Attachment screws in front of the jumping shoe (First screw row in front of the shoe)
- Flat attachment on the ski



WinAir:

- Allowed model pictures

With cover



WinAir:

- Previous model



Allowed Ski Jumping bindings / WinAir

WinAir
VIP Air Rear
“revolution”



Ski Jumping BINDINGS

Bison

Allowed Ski Jumping bindings /Bison

Bison 1 and Bison 2

- According the current FIS rules for Jumping Ski Bindings SCE 2
- Adjustable opening moments
- Attachment screws in front of the jumping shoe (First screw row in front of the shoe)
- Flat attachment on the ski



Bison 1



Bison 2

Allowed Ski Jumping bindings / Bison 1

Bison model 1:

- The cover made of polyasetal and machined from the single part.
- Opening moment can be adjusted by using the top screw with the hex key
- Attributes of polyasetal
 - hard
 - tough
 - low coefficient of friction
 - good wear resistance
 - Available in all colours



Allowed Ski Jumping bindings / Bison 1

Bison 1 pictures:



Dimensions: Length (body) 84 mm Wide 89 mm Height 30 mm

Allowed Ski Jumping bindings / Bison 2

Bison 2 pictures:



Dimensions:

Length: (aluminium body) + opening part 31 mm

Wide: 91 mm

Hight: 23 mm with cover



Allowed Ski Jumping bindings / Bison 2

Bison 2 pictures:



Allowed Ski Jumping bindings / Bison rear part

Bison rear part:

- 2 types of rear parts
 - With the golden lock pin the black attachment part will not release, when opening the rear lock. Black part is attached to the shoe.
 - With black lock pin the attachment part will always release of the shoe together with pin, when opening the rear lock.
 - the opening force of the binding can be adjusted individually and steplessly between 100 – 500 N



Ski Jumping SKIS

(will be added during summer 2022)

Ski Jumping SHOES

RASS

Allowed Ski Jumping SHOES / Rass

https://sport-schuhe.com/?cat=c2_Ski-jumping-boots-skijumpingboots-ski-jumping-boots.html

Rass Eagle One

White/Red

Made in customized
colour



Rass Eagle Two

White/Red

Made in customized
colour



Rass Jump One

White/Red

Made in customized
colour



Rass Jump Two

White/Red

Made in customized
colour



Rass Snow Flyer

White/Red

Made in customized
colour



Ski Jumping SHOES

Nagaba

Allowed Ski Jumping SHOES / Nagaba

<https://nagaba.eu/kategoria/ski-jumping-eu>

Nagaba

Professional



Allowed Ski Jumping SHOES / Nagaba

Nagaba

Commercial version



Allowed Ski Jumping SHOES / Nagaba

Nagaba

Pro Version



Ski Jumping SHOES

Slatnar

Allowed Ski Jumping SHOES / Slatnar

Slatnar

Carbon



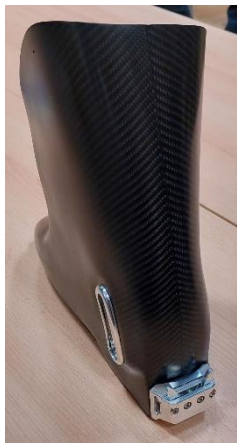
Ski Jumping SHOES

EPS

Allowed Ski Jumping SHOES / EPS (Edgar Paul Stöckl)

<https://www.eps-technics.de/>

EPS



Ski Jumping SHOES

APUS

Allowed Ski Jumping SHOES / Apus

APUS

Standard

Leather Shoe, Standard,
made out of leather, lightweight
construction shoe sole,



Ski Jumping SHOES

HOP

Allowed Ski Jumping SHOES / HOP

HOP

Asymmetric



Allowed Ski Jumping SHOES / HOP

HOP

Seefeld



Ski Jumping SHOES

Scarpa

Allowed Ski Jumping SHOES / HOP

Scarpa

Bolt - Basic

Synthetic Shoe

Made for beginners, kids and teens.
Different colours. In the back part a
damping element is installed to
support a safe and healthy landing.
To avoid knee injuries



B.B.



Allowed Ski Jumping SHOES / HOP

Scarpa

Bolt - Competition

Carbon Shoe

Made for professions only.
One - off production for each athlete made out of carbon, mute for landing. The damping element is to support a save landing to avoid knee injuries



Ski Jumping SHOES

Pesaductus

Allowed Ski Jumping SHOES / Pesadductus

Pesadductus

Swiss - One Off model



Rear lock indicator Not allowed



Rear Lock
Indicator **NOT ALLOWED**

Ski Jumping HELMETS

(will be added during summer 2022)